

Quick Start for the HOBOb U20L Water Level Logger

Before you begin: Barometric pressure data at the site where the logger is being deployed is required for accurate water level data. Using a HOBOb logger for recording barometric pressure data is recommended.

If using a HOBOb Waterproof Shuttle (U-DTW-1) with this logger, the shuttle must have firmware version 3.2.0 or later installed. See the Onset website or contact Onset Technical Support if your shuttle needs this upgrade.



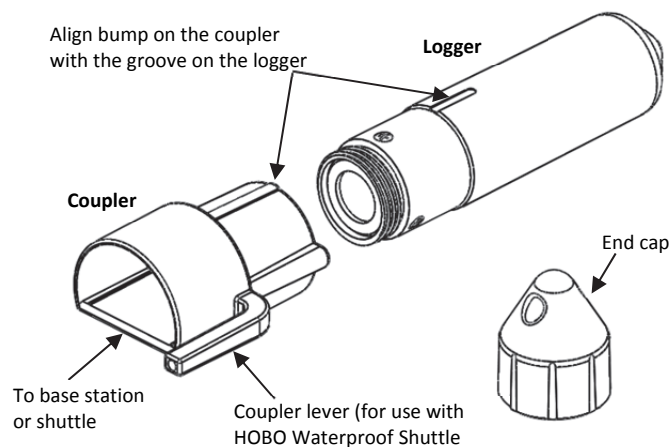
- 1 Open HOBObware® Pro software. (Install first if necessary.)



- 2 The HOBOb Water Level Logger requires a coupler (COUPLER2-C) and USB Optic Base Station (BASE-U-4) or HOBOb Waterproof Shuttle (U-DTW-1) to connect to the computer. Follow the instructions that came with your base station or shuttle to attach the base station or shuttle to a USB port on the computer.

1. Unscrew the black plastic end cap from the logger by turning it counter-clockwise.
2. Attach the coupler to the base station or shuttle.
3. Insert the logger into the coupler, aligning the bump on the coupler with the groove on the logger. Be sure it is properly seated in the coupler. It may take a few seconds for the new hardware to be detected by the computer.

Note: If you are using the HOBOb Waterproof Shuttle, briefly press the coupler lever to put the shuttle into base station mode.



17150-B MAN-QSG-U20L

Quick Start for the HOBOb U20L Water Level Logger

Before you begin: Barometric pressure data at the site where the logger is being deployed is required for accurate water level data. Using a HOBOb logger for recording barometric pressure data is recommended.

If using a HOBOb Waterproof Shuttle (U-DTW-1) with this logger, the shuttle must have firmware version 3.2.0 or later installed. See the Onset website or contact Onset Technical Support if your shuttle needs this upgrade.



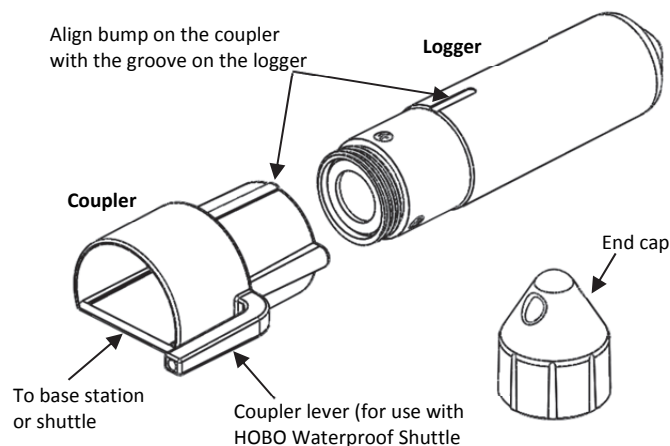
- 1 Open HOBObware® Pro software. (Install first if necessary.)



- 2 The HOBOb Water Level Logger requires a coupler (COUPLER2-C) and USB Optic Base Station (BASE-U-4) or HOBOb Waterproof Shuttle (U-DTW-1) to connect to the computer. Follow the instructions that came with your base station or shuttle to attach the base station or shuttle to a USB port on the computer.

1. Unscrew the black plastic end cap from the logger by turning it counter-clockwise.
2. Attach the coupler to the base station or shuttle.
3. Insert the logger into the coupler, aligning the bump on the coupler with the groove on the logger. Be sure it is properly seated in the coupler. It may take a few seconds for the new hardware to be detected by the computer.

Note: If you are using the HOBOb Waterproof Shuttle, briefly press the coupler lever to put the shuttle into base station mode.



17150-B MAN-QSG-U20L



- 3** From the Device menu in HOBOWare, select Launch and configure the launch settings. Make sure both the Abs. Pressure and Temperature sensors are selected (temperature is required for temperature compensation of pressure) and click the Start button in the lower right corner to send the launch settings to the logger. Note that the Start button text changes based on your Start Logging selection.



- 4** Deploy the logger, making sure the end cap is in place. Take water level reference readings at the beginning and end of each deployment.



- 5** Use the HOBO Waterproof Shuttle or base station to read out the logger.



- 6** Relaunch and redeploy logger as needed.



- 7** Plot data from logger. Print the plot, export data, save it as a project file, and more.



For detailed specifications and information about this logger, refer to the complete product manual. Go to http://www.onsetcomp.com/support/manuals/u20l_17153 or scan the code below.



1-800-LOGGERS (564-4377) • 508-759-9500
www.onsetcomp.com • loggerhelp@onsetcomp.com

© 2014 Onset Computer Corporation. All rights reserved. Onset, HOBO, and HOBOWare are trademarks or registered trademarks of Onset Computer Corporation. All other trademarks are the property of their respective companies.

17150-B MAN-QSG-U20L



- 3** From the Device menu in HOBOWare, select Launch and configure the launch settings. Make sure both the Abs. Pressure and Temperature sensors are selected (temperature is required for temperature compensation of pressure) and click the Start button in the lower right corner to send the launch settings to the logger. Note that the Start button text changes based on your Start Logging selection.



- 4** Deploy the logger, making sure the end cap is in place. Take water level reference readings at the beginning and end of each deployment.



- 5** Use the HOBO Waterproof Shuttle or base station to read out the logger.



- 6** Relaunch and redeploy logger as needed.



- 7** Plot data from logger. Print the plot, export data, save it as a project file, and more.



For detailed specifications and information about this logger, refer to the complete product manual. Go to http://www.onsetcomp.com/support/manuals/u20l_17153 or scan the code below.



1-800-LOGGERS (564-4377) • 508-759-9500
www.onsetcomp.com • loggerhelp@onsetcomp.com

© 2014 Onset Computer Corporation. All rights reserved. Onset, HOBO, and HOBOWare are trademarks or registered trademarks of Onset Computer Corporation. All other trademarks are the property of their respective companies.

17150-B MAN-QSG-U20L