

HOBO® RH Sensor Replacement Kit (HUM-RHPCB-3A) Manual

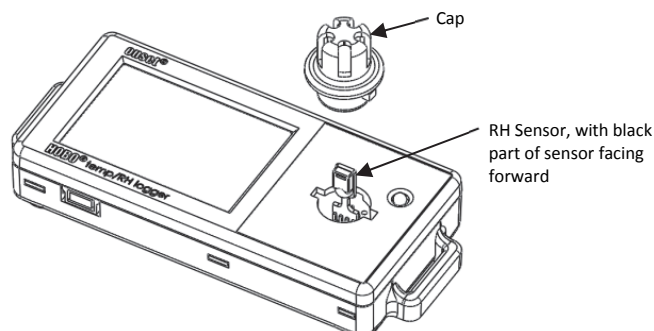
For use with UX100-011 and U14-001 logger models

The internal RH sensor may require replacement if it is damaged mechanically or by exposure to condensation or chemicals. Follow the instructions below based for your logger model. **Note:** To dissipate static electricity while you work, periodically touch an unpainted metal surface.

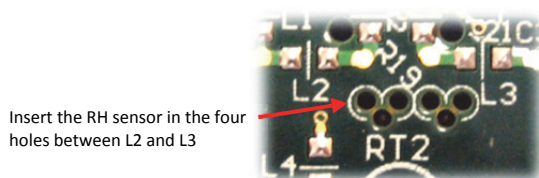
Replacement Instructions for HOBO Temp/RH 2.5% Data Logger (UX100-011)

To replace the sensor:

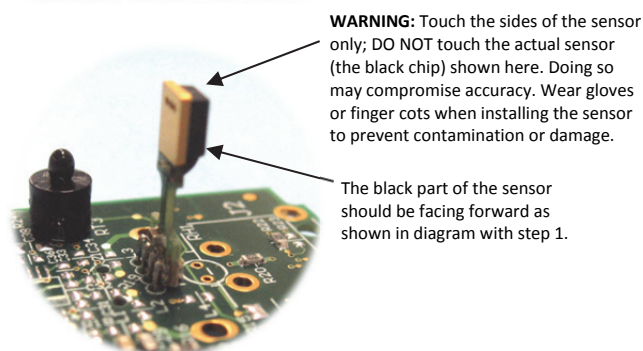
1. Remove the cap from the logger case with a one quarter turn counter-clockwise.



2. Remove the RH sensor from the board inside the logger case and discard it.
3. Wearing gloves or finger cots, hold the replacement unit by the sides of the board (not the black part of the sensor). Carefully insert each of the four pins into the four holes in between the L2 and L3 markings on the board (shown here enlarged and without the logger case for illustrative purposes). Hold the sensor at a slight angle as you are inserting it and let the pins come to rest inside the holes. The sensor should remain upright when positioned properly in the four holes. Use a magnifying glass or bright light to see the board details if necessary. Note that the black part of the sensor should be facing forward as shown in the diagram with step 1.



Insert the RH sensor in the four holes between L2 and L3



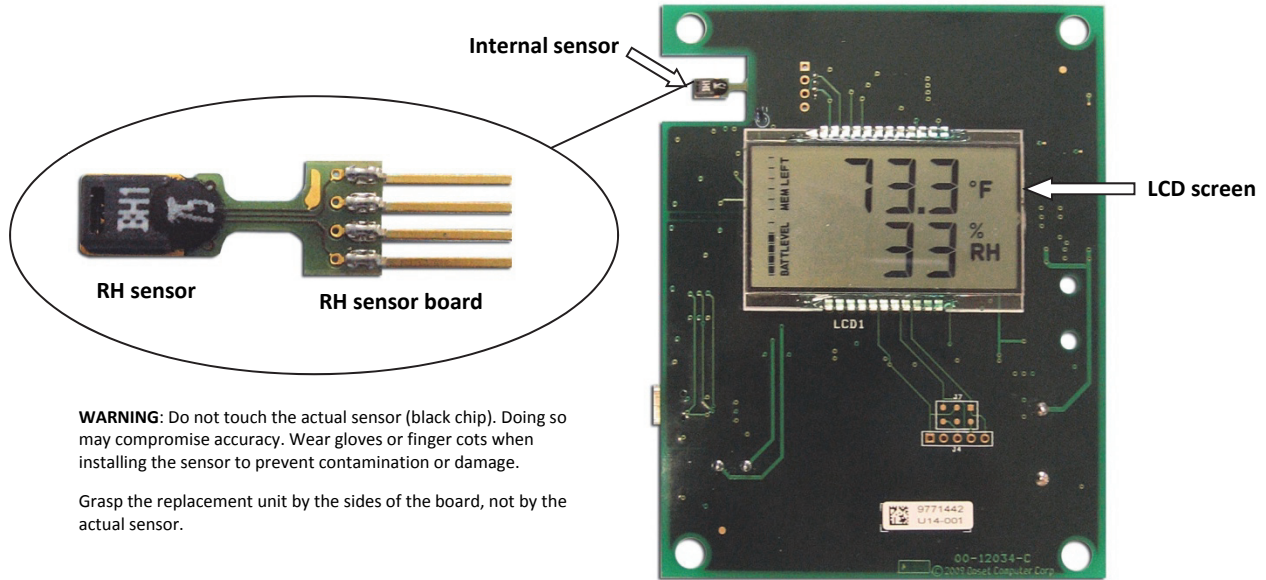
4. Once the sensor is in position, gently push down until it is firmly in place.
5. Place the cap over the RH sensor lining up the notches on the cap with the grooves on both sides of the sensor. Secure the cap with a one quarter turn clockwise until it snaps back in place.
6. Check logger status in HOBOWare® to verify the RH reading.

Replacement Instructions for HOBO U14 LCD Temperature/RH Data Logger (U14-001)

Note: This sensor is for U14-001 loggers with a serial number above 9847173. U14-001 loggers with a serial number below 9847173 require a different replacement sensor (Part No. HUM-RHPCB-3). Contact Onset or an Onset Authorized Dealer.

To replace the sensor:

1. Remove the four screws on the back of the unit and open the case.
2. Remove one battery to deactivate power to the sensor.
3. Carefully remove the logger circuit board and turn it over so the LCD is facing up. The RH sensor is located on the upper left side of the board, above and to the left of the LCD screen.



WARNING: Do not touch the actual sensor (black chip). Doing so may compromise accuracy. Wear gloves or finger cots when installing the sensor to prevent contamination or damage.

Grasp the replacement unit by the sides of the board, not by the actual sensor.

4. Gently grasp the sensor and pull to the left, unplugging the sensor from the logger circuit board.
5. Wearing gloves or finger cots, hold the replacement unit by the sides of the board and gently plug it into the logger circuit board until it is bottomed out in the connector. The front of the sensor should face the front of the board (LCD screen side). Do not touch the actual RH sensor (black chip) itself. Doing so may compromise accuracy.
6. Place the board back into the case (be careful not to dislodge the sensor).
7. Reinstall the battery you removed.
8. Replace the screws.
9. Start the logger and check the accuracy of the RH readings.