

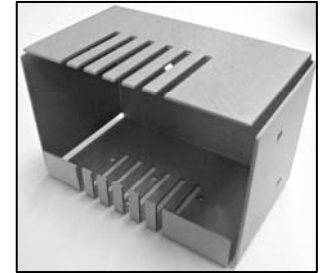
# Cable Caddy

(Part No: M-CDY)

## Inside this package:

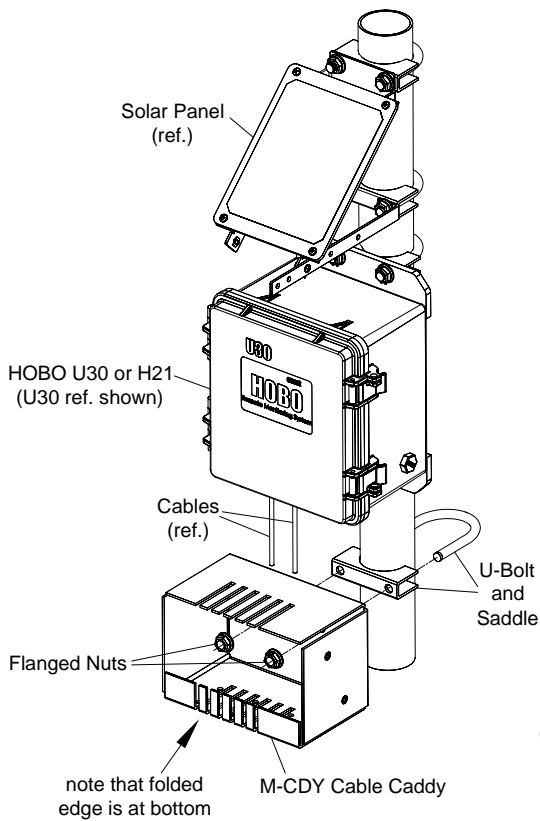
- Cable Caddy:
  - dimensions: 15 cm W x 10 cm H x 9 cm D (6 x 4 x 3.5 in)
  - weight: 0.3 kg (11 oz)
- U-Bolt, saddle, (2) flanged nuts
- (4) Cable ties
- (2) Screws \*
- These instructions

**Tool required:** 1/2-inch socket wrench

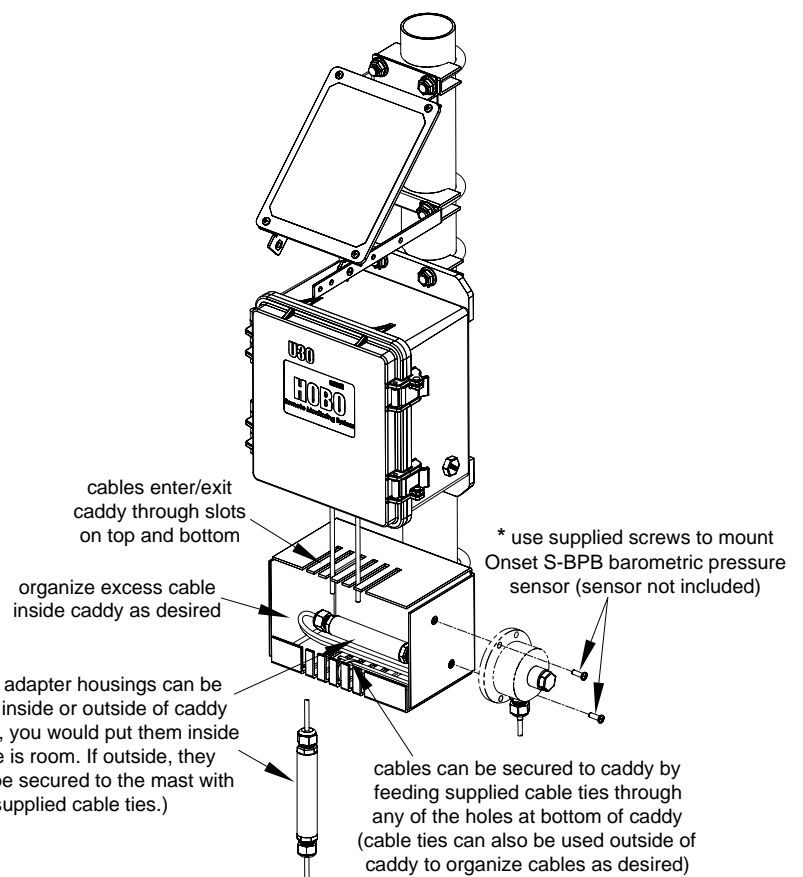


**Installing the Cable Caddy:** Mount the Cable Caddy to 4.1 cm (1.63 inch) diameter mast (mast not included) using the supplied U-bolt, saddle, and two flanged nuts. Refer to figure 1.

**Using the Cable Caddy:** The Cable Caddy is a convenient way to help organize cables from sensors used with a HOBO U30 or H21. It also provides a convenient place to mount the Onset S-BPB barometric pressure sensor (not included). Refer to figure 2.



**Figure 1: Installing the Cable Caddy**



**Figure 2: Using the Cable Caddy**